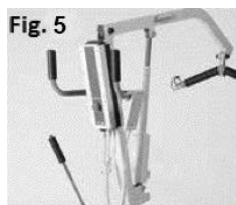
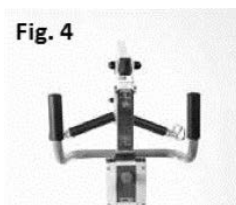


8.2 Assembly LINAK electrical kit (for R1830)

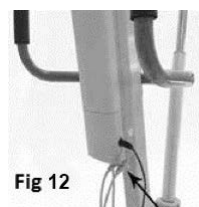
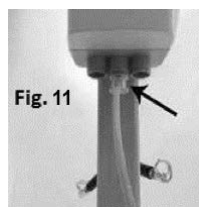
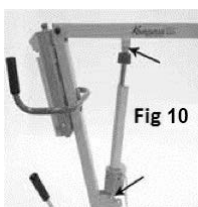
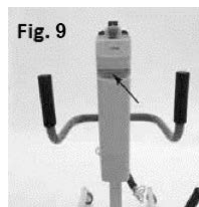
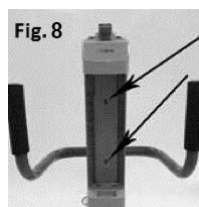
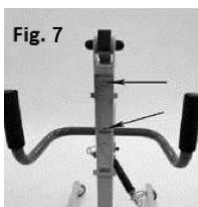
1. Secure the control unit support bracket to the mast with the provided screws, using the fitted cavities. (Fig.4)*
2. Insert the battery in the appropriate place.
3. Fit the elevation actuator between the boom and the mast and secure it firmly with screws and bolts. (Fig.5)*
4. Connect the electrical connector of the actuator to the control unit socket "1" - make sure it is fully inserted. Connect the remote control electrical connector to the large socket on the control unit - make sure the guide lug seats properly and then push it all the way in. (Fig.6)*



*images for illustrative purpose only

8.3 Assembly TiMOTION electrical kit (for R1835)

1. Secure the support bracket of the control unit to the mast with the provided screws, using the fitted cavities. (fig.7)*
2. Fit the control unit on the bracket, letting it slide from top to bottom and blocking it with the screws. (Fig.8)*
3. Fit the battery into the control unit. (Fig.9)*
4. Remove the two actuator mounting bolts from the mast boom. Fit the actuator into it and secure it with the two bolts previously removed. Cover the bolt heads with the provided plastic cap. (Fig.10)*
5. Connect the actuator connector to the central socket of the control unit and the remote control to the right socket. (Fig.11-12)*



*images for illustrative purpose only

9. BEFORE USE

KOMPASS by MOPEDIA stand up lifts are intended to move people with motor difficulties for short transfers as from a bed to a wheelchair or a commode chair and vice versa. The stand up lift cannot be used to transport the patient.

- Before lifting a patient make sure the base legs are opened to the maximum width possible, that the opening lever is secured in the opened position and the rear wheels brakes are blocked.
 - While moving the patient, keep an eye out for obstacles that might cause the lift to tip over.
- ⚠ Always check that the sling is in good condition. Do not use slings showing signs of damage or wear

10. INSTRUCTIONS FOR USE

BEFORE USING THE ELECTRICAL LIFT YOU ARE RECOMMENDED TO CHARGE THE BATTERY FOR ABOUT 6/8 HOURS. AFTER THAT MAKE SURE THE BATTERY IS CHARGED BEFORE EVERY USE.

Before lifting a patient, open the base legs to the maximum width possible, gently pulling the opening lever towards you and secure it in the open position

1. Block the rear wheel brakes.
2. Keep the patient centered between the base legs and always turned towards the assistant.
3. Adjust the leg support position in height and width using the regulation knobs.
4. Put the sling on the patient, adjusting the abdominal band and the underarm belts.
5. Hook carefully the sling's straps to the lifting beam, see picture (The central hook is to be used with the pelvic sling. The middle hooks are to be used by persons < 1.70m tall. The hooks at the ends of the arm are to be used by persons > 1.70m tall)



NOTE: A pelvic sling is recommended for patients with a sturdy build or low mobility. Thanks to the pelvic belts the underarm pressure decreases and the verticalization becomes more comfortable for the patient

NOTE: If necessary, for tall persons you can hang the sling on the arm middle hooks, passing the belts through the ends hooks. In this case, the underarm

belts become shorter and let the patient's chest approach the arm and incline toward it.

6. Press the up-facing arrow key to lift the patient.
7. ALWAYS MONITOR THE PATIENT'S POSITION THROUGHOUT THE LIFTING PROCESS!
8. Support the patient until the desired height, keeping him facing his assistant.
9. Release the rear wheels and move the patient.
10. Before lowering the patient, block the rear wheels again.
11. To lower the patient, press the down-facing arrow key.
12. ALWAYS MONITOR THE PATIENT'S POSITION THROUGHOUT THE LIFTING PROCESS!

WARNING!



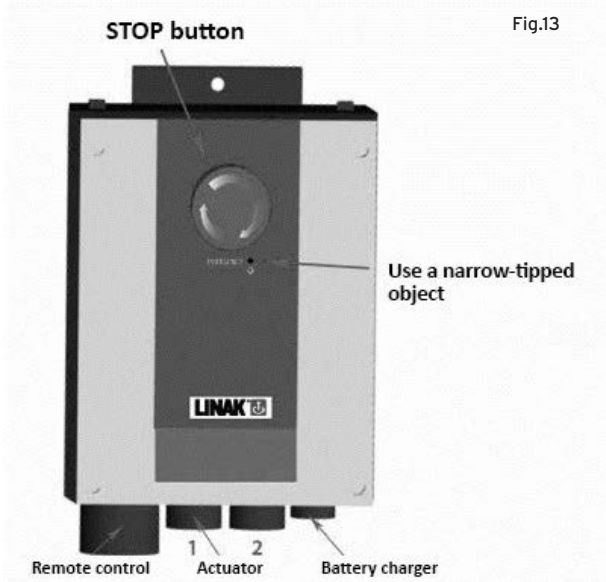
- Always help the patient during the lowering process so as to maintain the correct seated position!
- While lowering the patient, please remove any barrier that can impede the downward movement. If the case, lift up the patient again and remove what causes the impediment for lowering.

Automatic anti-crushing system

The electrical kit is equipped with an automatic anti-crushing system, which stops the lowering of the lifting boom if there is an accidental contact between the patient and any barrier.

Emergency stop

The control unit is equipped with a red "STOP" button which instantly deactivates all controls when pressed. To restore normal operation, turn the button clockwise and pull it outwards.



Mechanical lowering of the actuator

If using the manual/mechanical lowering, please make sure that it will be done in total safety conditions for the patient. In order to activate the manual/mechanical lowering, pull downwards the red ring placed in the upper part of the actuator and turn it counterclockwise. Once finished the lowering process, take the red ring back to its resting position.

Emergency keys

R1830: Underneath the red STOP button of the control box, there is a small button that can be used to low patients when the remote control fails to operate properly. This button can only be operated with the aid of a narrow tipped object like the tip of a pen. (Fig.13)

R1835: On the control unit there are two keys (one with an up-facing arrow and the other one with a down-facing arrow) that can be pressed instead of those ones on the remote control to complete all the operations when the remote control fails to work properly.

Indication of the battery state of charge (only R1835)

There is a 3-Led indicator for the battery state of charge. This indicator is placed on the remote control. 3 Leds on indicate a complete charge of the battery, whereas only one Led on indicates the battery is out of power and needs to be charged.

Recharging batteries

- Connect the adapter to the main socket and then to the socket on the control unit, after removing the protection cap.
- On the charger adapter there is a led that during the charging process becomes orange color. Charge the battery until the led becomes green color (R1835 only)
- Before activating the stand up lift again, make sure to disconnect the battery charger!
- Charge the batteries for at least 6 hours before using the stand up lift.

11. MAINTENANCE

The MOPEDIA devices by MORETTI are checked carefully and supplied with EC mark, once launched on the market. For patient and physician's safety we recommend to let check the device by the manufacturer or by laboratory authorized every 2 years. In case of repair, use only original spare parts and accessories.

- It is extremely important to check the lift before each use.
- More specifically, please check that all screws and bolts are well tightened.
- Please, check the lift can move freely with the wheels unlocked by the brakes.
- Check the rear wheel brakes function correctly.
- It is very important to regularly check the connection pins and stop rings are correctly located (the pins connect the actuator to the upper and lower part of the lift, and the lifting beam where you hook the cradle).
- The mechanical parts must be lubricated with a drop of oil in order to facilitate their sliding and resistance to wear. In particular, pay attention to the mechanical retractor for the legs of the patient lift. Lubricate as indicated above every two or three months.

12. CLEANING AND DISINFECTION

12.1 Cleaning

To clean the cradle, handle and the structure use a solution of alcohol and neutral soap (in equal parts) mixed with water.

12.2 Disinfection

If you need to disinfect the product use a common disinfectant neutral detergent.

N.B. Never use acids, alkalines or solvents such as acetone or diluent. Keep away from light, moisture, heat.

13. CONDITIONS AND DISINFECTION

In case of disposal don't use the inserting container for municipal waste. We recommend to dispose the kit in the appropriate disposal areas for recycling.



13.1 Warnings for the proper disposal of the product, as required by the European Directive 2002/96/EC

At the end of its service life, the product must not be disposed of together with normal municipal waste. It must be delivered to the municipal sorted waste collection centre or to the resellers, in case they provide for this service. Sorted waste disposal reduces the environmental and health consequences of an improper disposal. Furthermore, the materials which make up the product may be recycled, thus resulting in energy and resource savings. In order to highlight the compulsory sorted disposal of the electro-medical equipment, the product itself bears the barred bin symbol.



13.2 Treatment of dead batteries (directive 2006/66/CE)

The symbol on the product indicates that the batteries must not be treated like common household waste. Make sure the batteries are properly disposed; this prevents the possible environmental and health consequences of an improper disposal. Recycling helps to preserve

natural resources. Deliver dead batteries to a proper recycling centre. For more detailed information regarding the disposal of dead batteries or of the product itself, please contact the municipality, the local waste disposal centre or the reseller from whom you purchased the device.

14. SPARE PARTS ACCESSORIES

RP893 Body harness with dorsal abdominal band with Velcro closure

RP896 Body harness with dorsal abdominal band with Velcro closure and pelvic belts

For spare parts and accessories, please always refer to the MORETTI master catalogue.

ONLY USE ORIGINAL MORETTI ACCESSORIES. MORETTI S.P.A. COMPANY SHALL NOT BE LIABLE FOR ANY INCIDENT CAUSED BY IMPROPER USE.

15. TECHNICAL FEATURES

15.1 Technical specifications

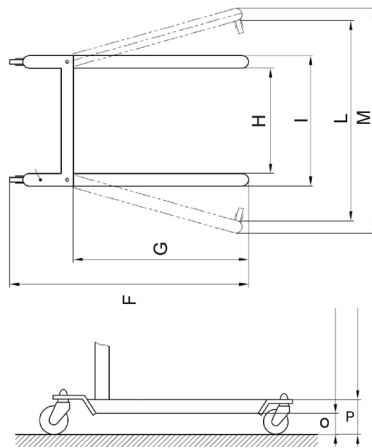
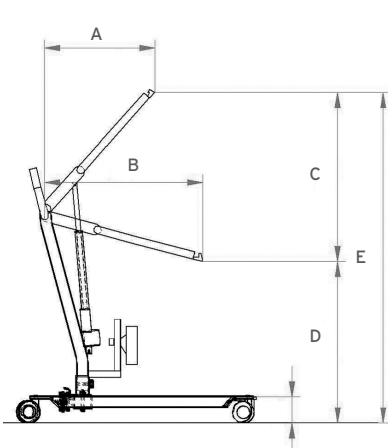
- Powder coated steel frame
- Platform covered with felt
- Knee pad adjustable in height and width
- Castors with brake and rotational block
- Leg opening lever with safety lock
- Comfortable handle for the healthcare professional
- Hooks designed specifically to hold the sling in complete safety
- Autonomy: 100 to 200 lifts with fully charged battery
- Total weight: 40 Kg
- Maximum loading weight: 180 Kg

15.2 Frame dimensions - R1830-R1835

Legend

- A Sagittal dimension at max.verticalization: 29 cm
- B Arm lenght: 81 cm
- C Maximum stroke: 80 cm
- D Minimum arm height: 100 cm
- E Maximum arm height: 180 cm
- F Maximum base lenght: 110 cm
- G Distance between front castors and mast: 70 cm

- H Minimum internal width: 44 cm
- I Minimum external width: 59 cm
- L Maximum internal width: 87 cm
- M Maximum external width: 100 cm
- O Castors height: 10,5 cm
- P Legs height: 11,5 cm



16. WARRANTY

Every Moretti product is guaranteed for 2 (two) YEARS from the purchase date, except the restrictions specified below. The warranty shall not apply in case of damage caused by improper use, abuse, alterations of the product or any other use not in compliance with the user manual. The proper use of the product is indicated in the user manual. Moretti S.p.A. shall not be liable for any damages or personal injuries due to incorrect assembly/improper use of the device, not compliant with the user manual. Moretti does not guarantee its products against damages or faults in the following cases: natural disasters, non authorized maintenance or reparations, damages caused by electrical supply problems (if provided), use of parts or components not provided by Moretti, failure in accomplishing the guidelines and instructions for use, non authorized alterations, damages due to the transport (different from Moretti original delivery) or failure in maintaining the device as indicated in the manual. The components subject to wear are not covered by this warranty if the damage is due to the normal use of the product.

16.1 Warranty for rechargeable battery (if provided)

The original batteries and the spare batteries are covered by a (ninety) 90-days warranty as far as their performance is concerned and by a (six) 6-months warranty as far as manufacturing faults are concerned or as required by law. Warranty on fully charged batteries left in an unused state for more than (three) 3 consecutive months is automatically void. Warranty on fully discharged batteries left in an unused state for more than (three) 3 consecutive days is automatically void.

16.2 Repairing

Warranty repair

If a Moretti product shows material or manufacturing faults during the warranty period, Moretti S.p.A., together with the client, will consider whether the product fault is covered by warranty. Moretti S.p.A., at its unquestionable discretion, may replace or repair the item under warranty in a Moretti reseller point or at its own qualified offices. Labour costs for repairing the product may be at Moretti's expense if it is determined the repairation is under warranty. A repairation or replacement does not renew nor extend the warranty.

Repair not covered by warranty

A product, not covered by warranty, may be returned for reparation only after receiving prior authorization from Moretti client service. Labour and delivery costs for an out-of-warranty reparation will be fully at the client's or reseller's expense. Reparations of out-of-warranty products are guaranteed for 6 (six) months, from the day the client receives the repaired product.

Non defective device

The client is informed if, after examining and testing a returning product, Moretti decides the product is not defective. The product will be sent back to the client and all the return delivery costs will be at his expense.

16.3 Spare parts

The original Moretti spare parts are guaranteed for 6 (six) months from the day you receive them.

16.4 Exempt clauses

Except what clearly specified in this warranty and in accordance with the law, Moretti S.p.A. does not offer its clients any other declaration, warranty or condition, expressed or implicit, including any declaration, warranty or condition of merchantability, of non violation or non interference, of suitability for a specific aim. Moretti S.p.A. does not guarantee that the use of Moretti products will be continuous and faultless. The duration of possible implicit warranties that may be applied

in accordance with the law is limited to the warranty period.

Some states or countries do not allow limitations to the duration of an implicit warranty, or the exoneration, or the limitations of accidental or indirect damages related to products for consumers. In such states or countries some exonerations or limitation of this warranty may not be applied to the user. This warranty is subject to modifications without any prior notice

**MOPEDIA®****WARRANTY CERTIFICATE****Product** _____**Purchased on (date)** _____**Retailer** _____**Address** _____ **Town/city** _____**Sold to** _____**Address** _____ **Town/city** _____

MORETTI S.P.A.
Via Bruxelles, 3 - Meleto
52022 Cavriglia (Arezzo)

Tel. +39 055 96 21 11
Fax. +39 055 96 21 200

www.morettispa.com
info@morettispa.com